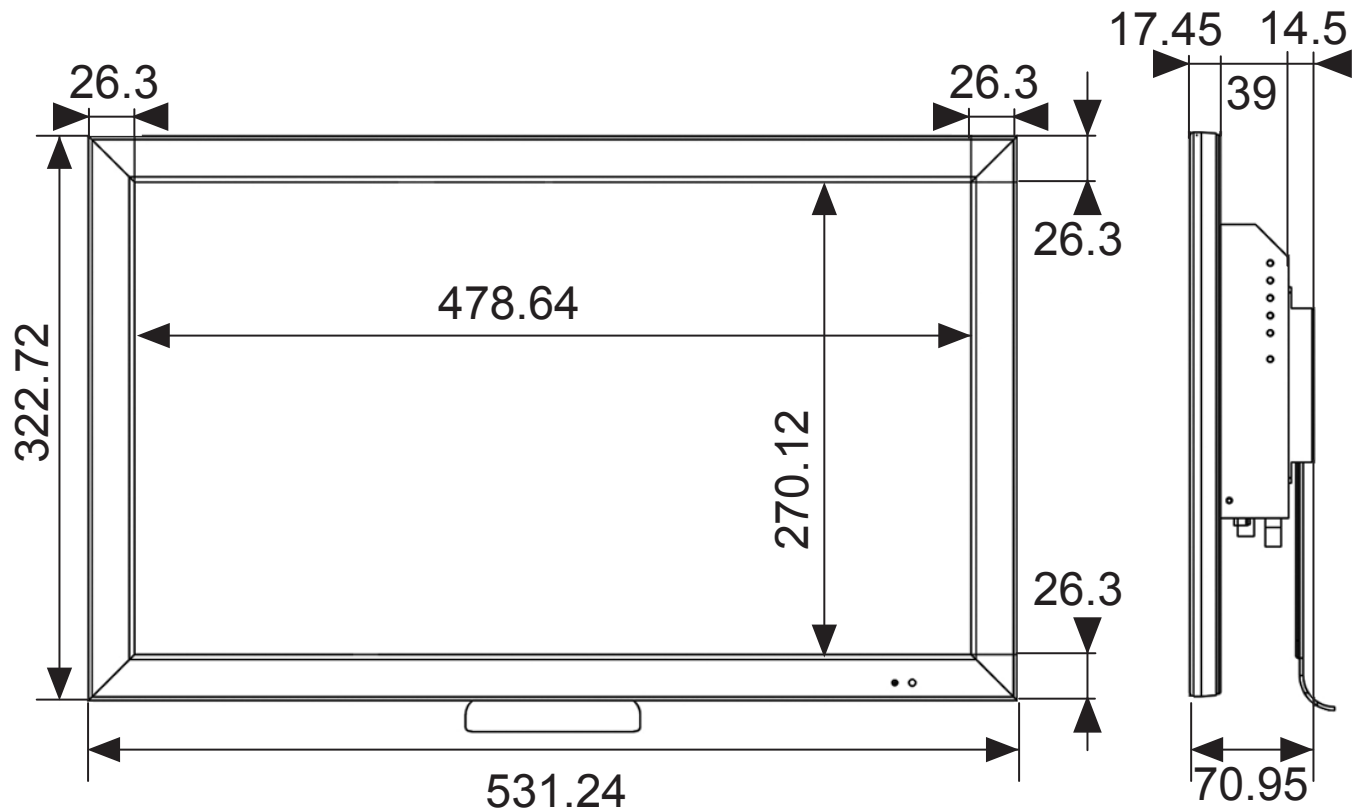


# SH2150S [ADTECHNO]



単位 (mm)